



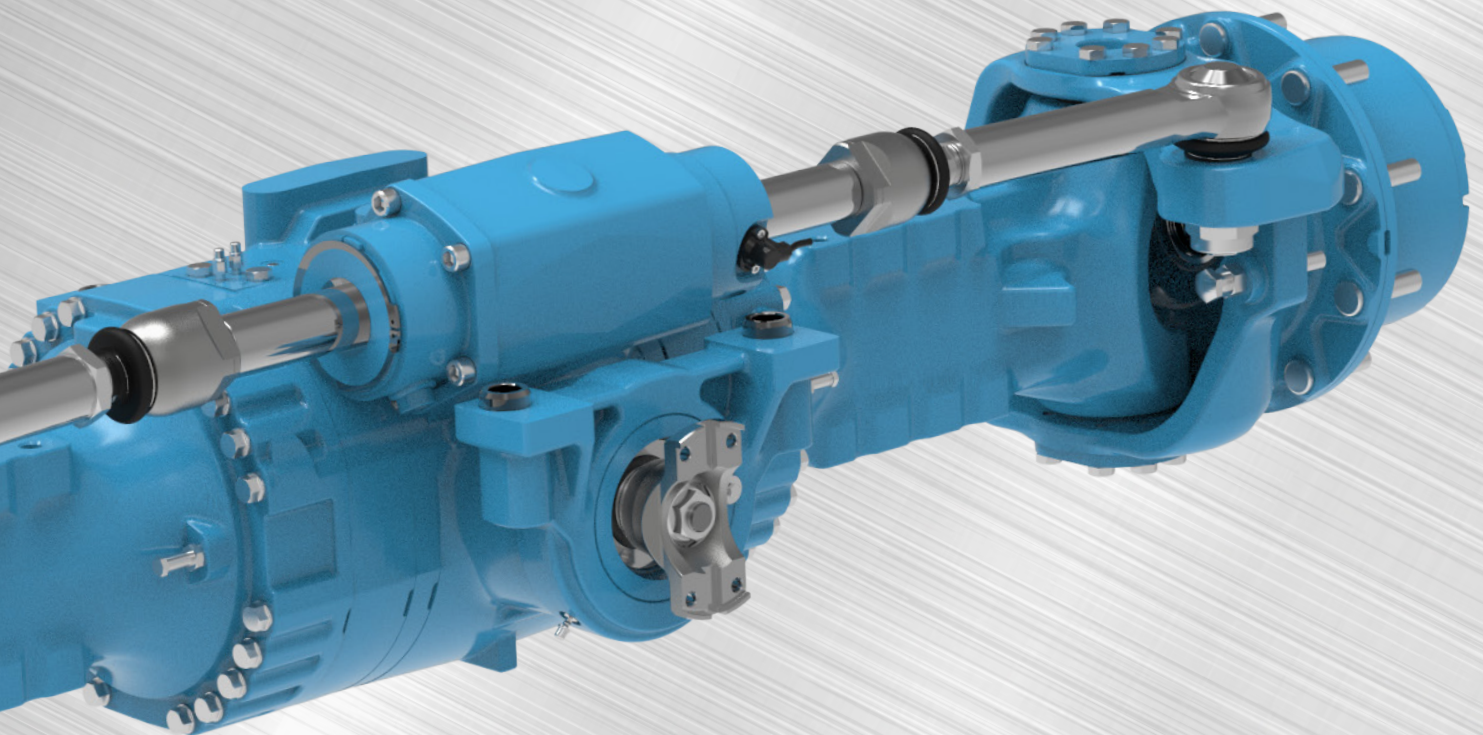
SPICER®

Drivetrain Systems

Spicer® 213

Planetary Steering Axle

Heavy Duty



Provides **greater flexibility** with a **modular design** for telehandler, tow tractor, and **mining applications**.

Spicer® 213

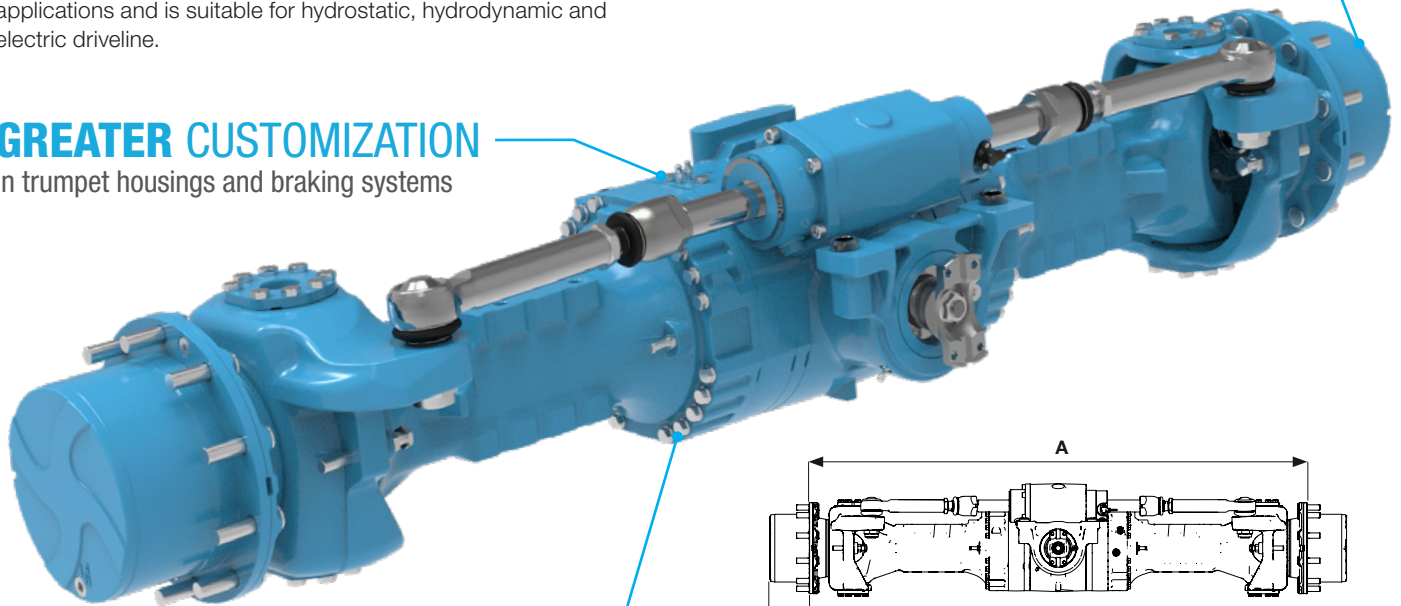
Planetary Steering Axle

Heavy Duty

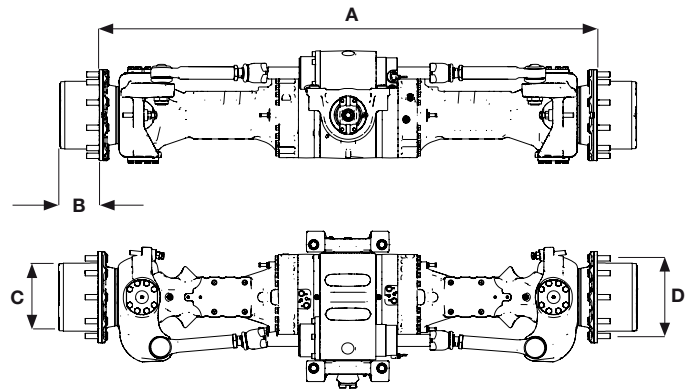
The Spicer® 213 planetary steering axle features a three-piece modular design and offers easy, low-cost service, and maintenance for numerous off-highway applications. A wide range of ratios and multiple options are available for local machining preferences. This robust axle is ideal for the rigorous demand of most off-highway applications and is suitable for hydrostatic, hydrodynamic and electric driveline.

THREE-PIECE MODULAR CONFIGURATION
maintains core components

GREATER CUSTOMIZATION
in trumpet housings and braking systems



WIDE RANGE OF RATIOS AVAILABLE



Technical Data	
Planetary Reduction Ratio	1:6.000
Bevel Set Ratios	1:2.461, 1:3.091, 1:3.222, 1:3.625, 1:4.125, 1:4.375
Maximum Output Torque (Nm)	65000
Load Capacity (daN); Static	40000
Load Capacity (daN); Dynamic	20000

Installation Dimensions (mm)	
A – Flange to Flange	2050
B – Planetary Hub Length	128,5
C – Wheel Pilot Diameter	280,8
D – Wheel Bolt Circle Diameter	335

Design Features	
Axle Mounting	Rigid mounting on axle housing, CL trunnion, TP tunnel
Input Flange Options	DIN 120/150, Spicer® Wing® Series 5C/6C/7C, yoke 1410/1480
Double Reduction Planetary Wheel End	Bevel set in center section and final hub reduction at wheels
Service Brakes	6-disc, wet discs brakes (integrated), internal SAHR
Differential Options	Open, Limited Slip 33%/45%, hydraulic applied 100% locking, no-spin
Maximum Steering Angle	40°

Dana.com/oh/contact

Application Policy
Capacity ratings, features, and specifications vary depending upon the model and type of service. Application approvals must be obtained from Dana; contact your representative for application approval. We reserve the right to change or modify our product specifications, configurations, or dimensions at any time without notice.



SPICER®

Drivetrain Systems