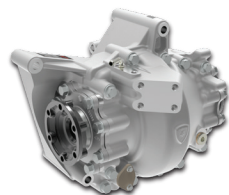
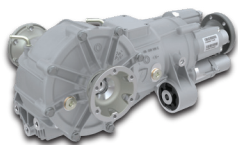
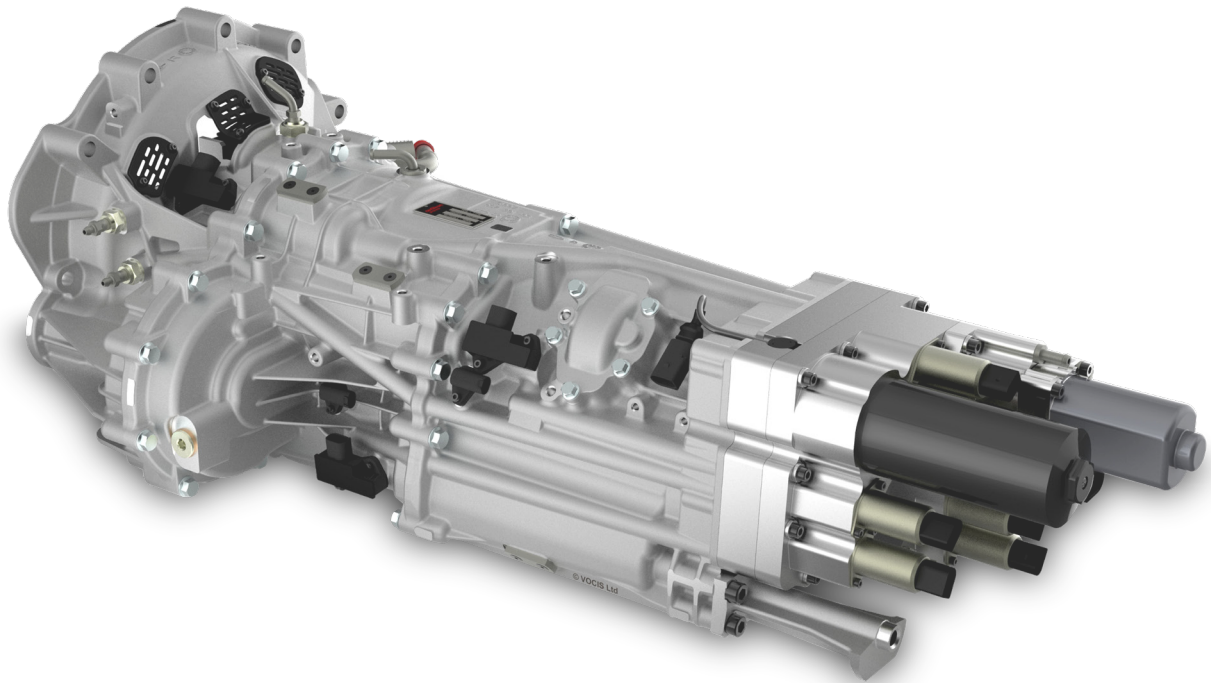




GRAZIANO[®]

High-Performance Transmissions

Automated Manual Longitudinal **Transmission**



Automated Manual Longitudinal Transmission

The Graziano™ high-performance driveline features longitudinal automated manual transmission (AMT), front differential assembly (FDA) with an integrated torque transfer device, and a limited-slip rear differential module (RDM). This system is ideally suited for high-performance sports car applications.

The automated manual longitudinal transmission is unique among on-road vehicles, guaranteeing the fastest shifting time (only 50 milliseconds) and a highly tactile shift feel. Compared with a dual-clutch transmission, not only is the transmission gearbox much lighter, it also has the smaller dimensions of a regular manual gearbox – both key elements in the field of lightweight engineering for super sports cars. The front differential, electronically controlled by a Haldex coupling, distributes the torque between front and rear in a matter of milliseconds to match all dynamic situations. The self-locking rear differential, realized with extensive use of lightweight components, helps to further increase the dynamic handling of this iconic, extreme performance super sports car.

Product Specs

Driveline Layout	Automated manual longitudinal transmission in front of the engine, 4WD
Engine Features	V12 (6,498 cm ³), 515 kW (700 HP) @ 8,250 rpm, 690 Nm @ 5,500 rpm
Gear Ratios	I=43/11 (3.909), II=39/16 (2.438), III=38/21 (1.810), IV=35/24 (1.458), V=32/27 (1.185), VI=29/30 (0.967), VII=27/32 (0.844), RM=41/14 (2.929), Drop gear to RDM: 47/38 (1.237), PTO to FDA: on secondary shaft, FDA=11/36 (0.306), RDM=15/43 (0.349)

Featured Customer: Automobili Lamborghini

Vehicle: Aventador

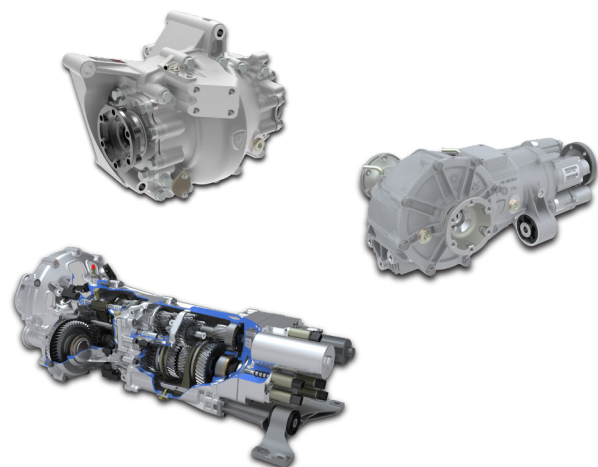


Image Source: Lamborghini.com

Dana.com

Application Policy

Capacity ratings, features, and specifications vary depending upon the model and type of service. Application approvals must be obtained from Dana; contact your representative for application approval. We reserve the right to change or modify our product specifications, configurations, or dimensions at any time without notice.



GRAZIANO®

High-Performance Transmissions